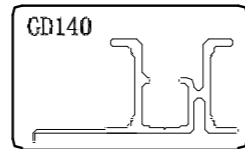
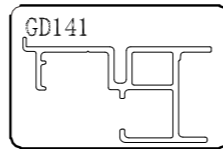


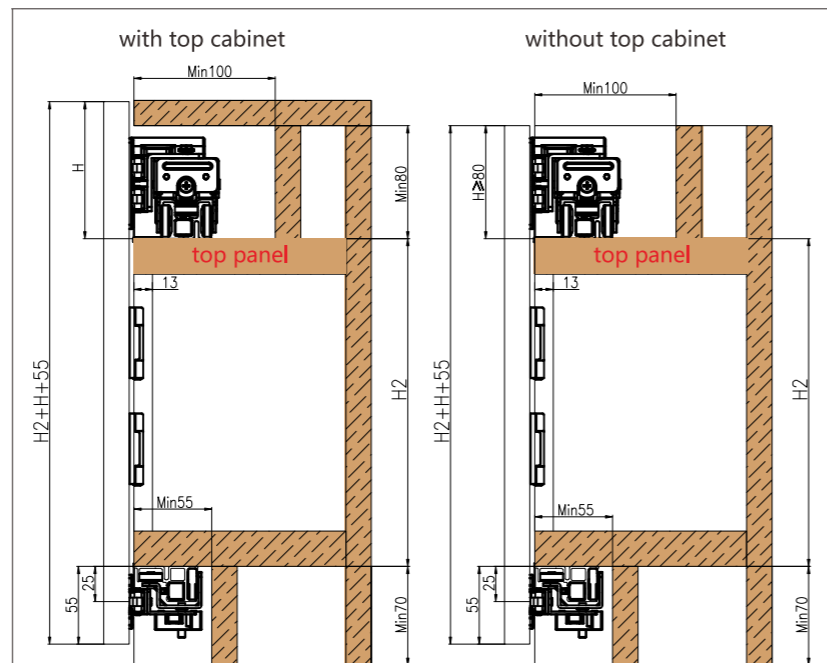
Upper Rail



Down Rail



| Accessories | Qty | Accessories | Qty |
|--------------------|-----|--------------------|-----|
| Left upper roller | 1 | Right upper roller | 1 |
| Left down roller | 1 | Right down roller | 1 |
| T902 Plastic hinge | 4 | Position template | 1 |
| 8mm Spanner | 1 | Damper | 2 |
| 2mm Allen key | 1 | ST4*16 Wood screw | 46 |

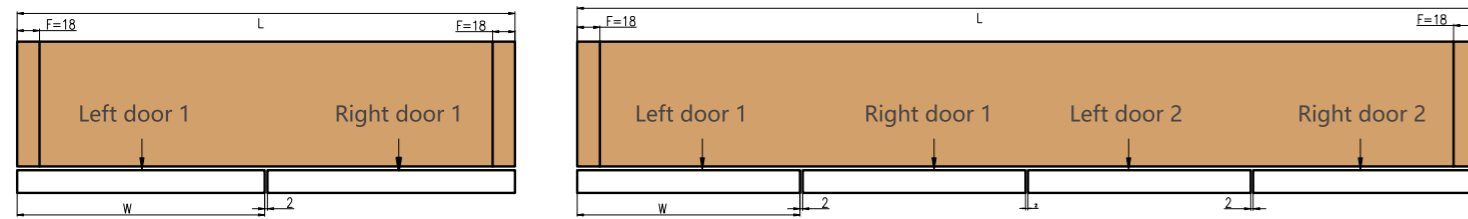


1. Installation Dimension

Single door width: 300 - 600 mm;
 Single door loading capacity: 20 kgs; Single door thickness: ≥16 mm

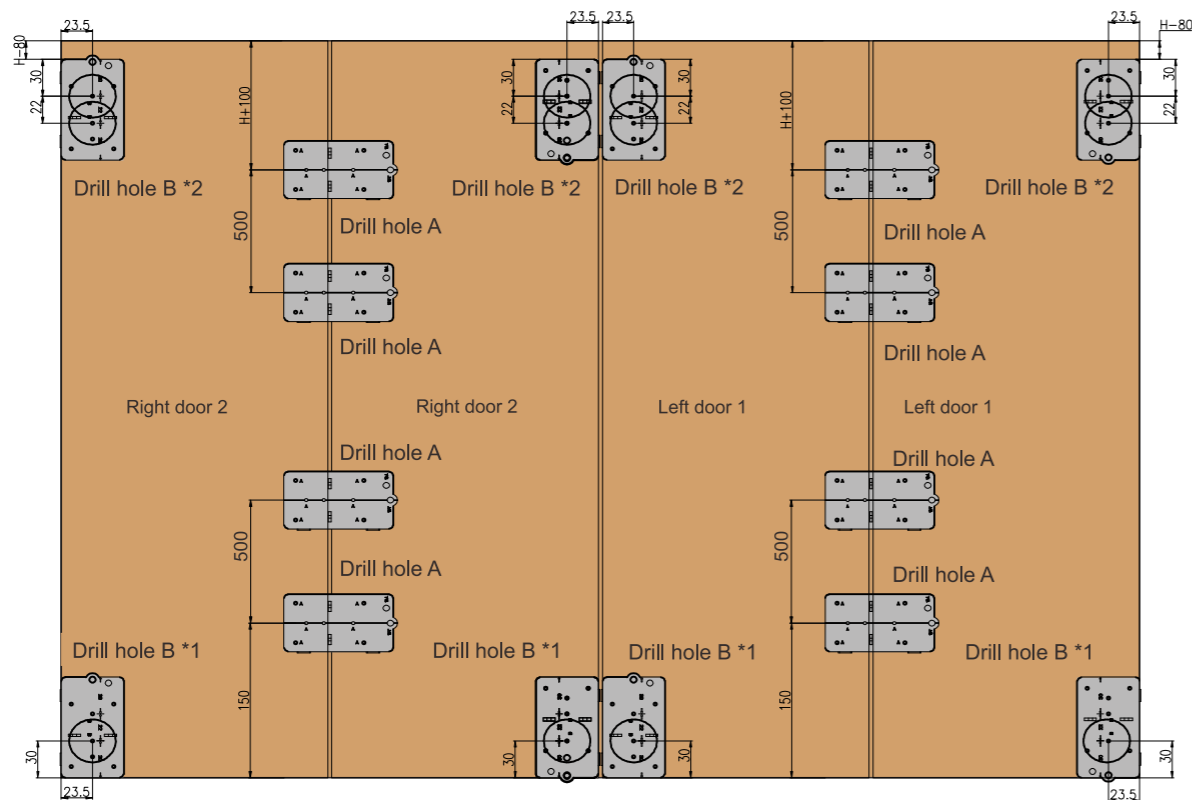
Door height $h = H_2 + H + 55$
 $H = \text{Door's height} - \text{top panel's height}$

Door width $W = \frac{L - 2n + 2}{4}$ $n = \text{door's quantity}$
 Side panel $F = 18\text{mm}$

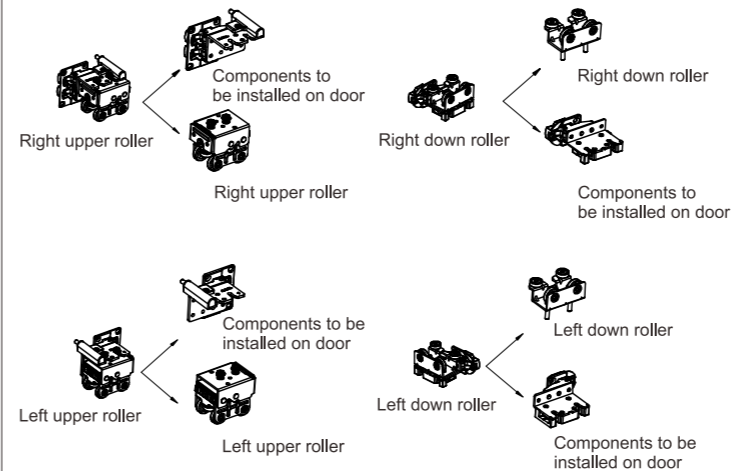


2. Door Preparation - Drilling Dimension

Hole A: plastic hinge hole, with dia 2.5 mm and depth 0-2 mm
 Hole B: steel hinge hole, with dia 35 mm and depth 12 mm

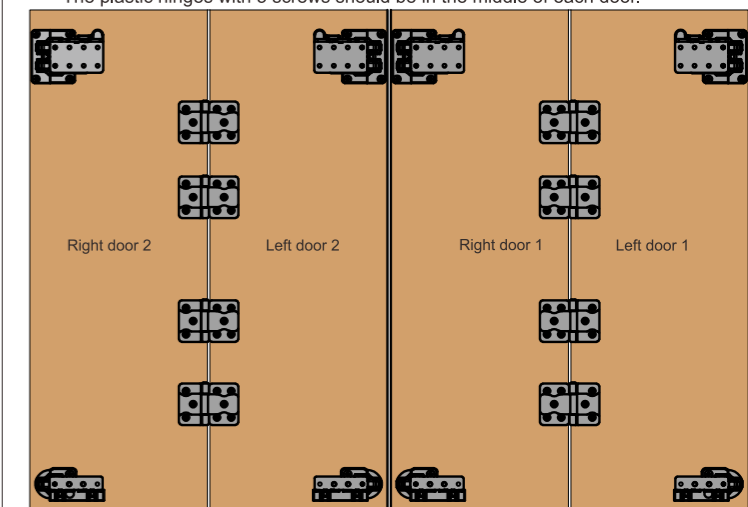


3. Separate the rollers

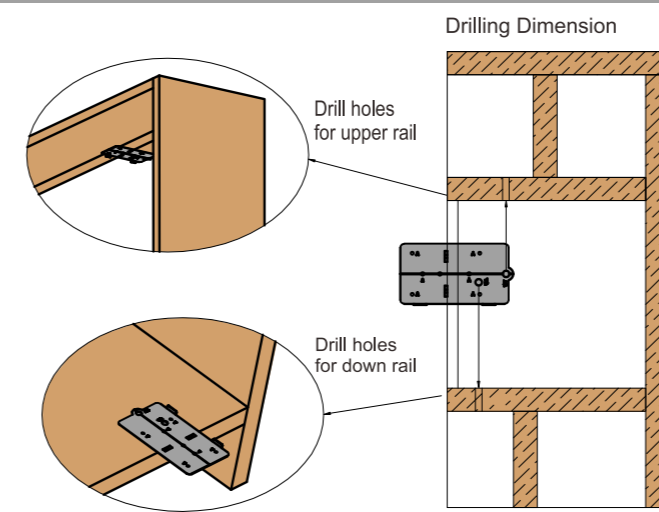


4. Install accessories

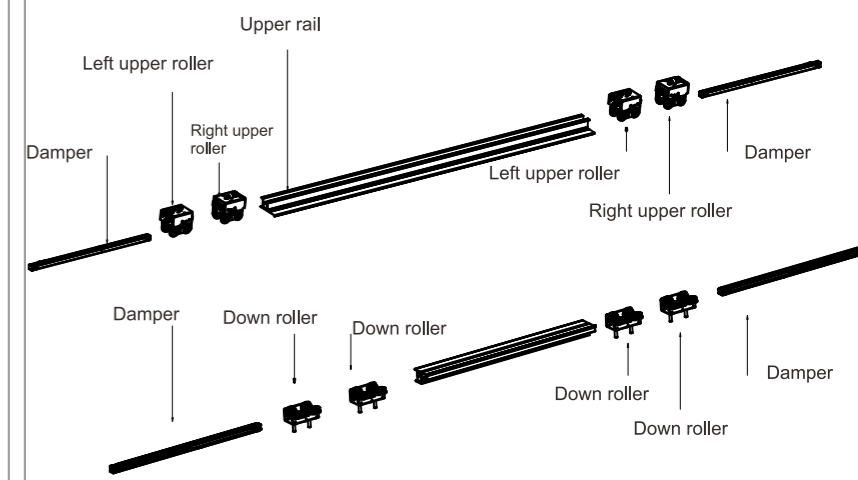
All plastic hinges should be of same direction
 The plastic hinges with 5 screws should be in the middle of each door.



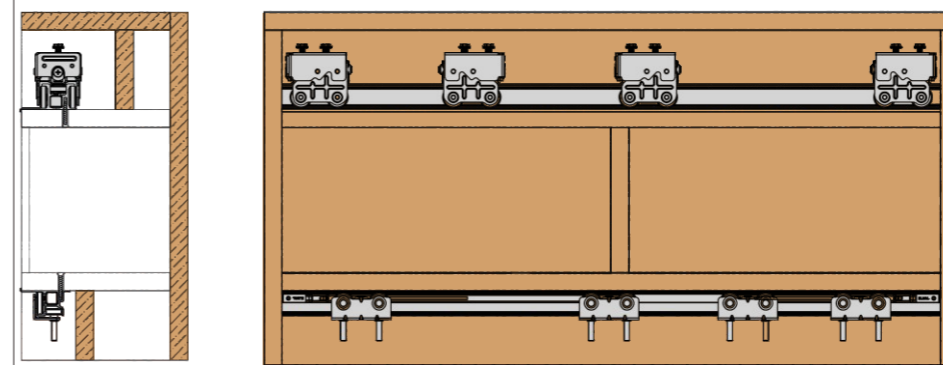
5. Drill holes of dia 5 for upper & down rail



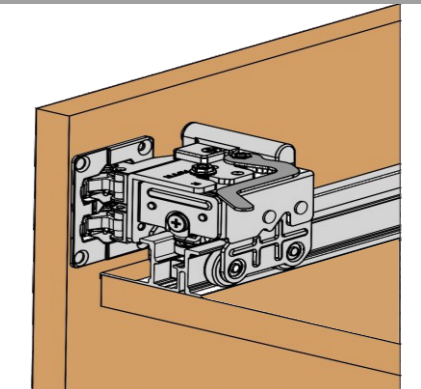
6. Install upper, down rail and accessories (mind the accessories direction)



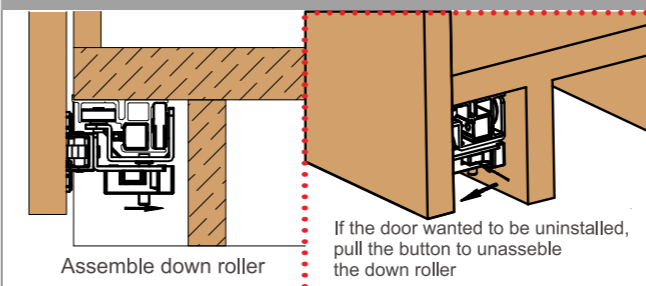
7. Fix upper rail and down rail



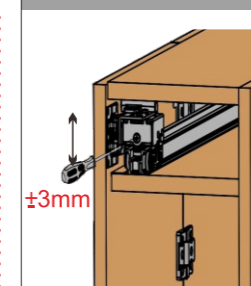
8. Install door and tighten screws



9. Lock down roller



10. Door adjustment



11. Install dampers

